

Medidas en milímetros

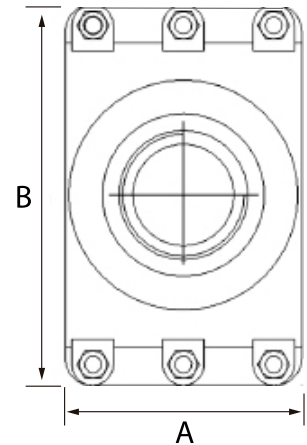
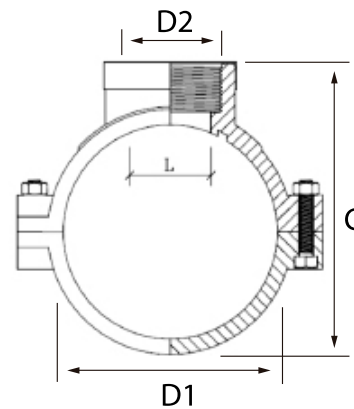
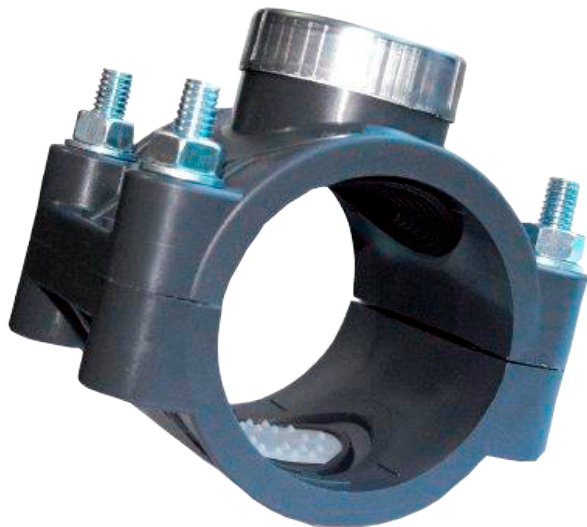
øD1x øD2	Cód.	A	B	C	PN	øD1x øD2	Cód.	A	B	C	PN
25 x 1/2"	CPP1602512I	40	75	47	16	75 x 3/4"	CPP1607534I	75	115	102	16
25 x 3/4"	CPP1602534I	40	75	49	16	75 x 1"	CPP160751I	75	115	108	16
32 x 1/2"	CPP1603212I	50	80	55	16	75 x 1 1/4"	CPP16075114I	75	115	106	16
32 x 3/4"	CPP1603234I	50	80	55	16	75 x 1 1/2"	CPP16075112I	75	115	113	16
32 x 1"	CPP160321I	50	80	58	16	75 x 2"	CPP160752I	75	115	115	16
40 x 1/2"	CPP1604012I	50	85	63	16	90 x 1/2"	CPP1609012I	95	135	122	16
40 x 3/4"	CPP1604034I	50	85	63	16	90 x 3/4"	CPP1609034I	95	135	124	16
40 x 1"	CPP160401I	50	85	76	16	90 x 1"	CPP160901I	95	135	126	16
50 x 1/2"	CPP1605012I	55	90	74	16	90 x 1 1/4"	CPP16090114I	95	135	127	16
50 x 3/4"	CPP1605034I	55	90	75	16	90 x 1 1/2"	CPP16090112I	95	135	130	16
50 x 1"	CPP160501I	55	90	77	16	90 x 2"	CPP160902I	95	135	130	16
63 x 1/2"	CPP1606312I	75	150	90	16	110 x 1/2"	CPP1611012I	105	115	130	16
63 x 3/4"	CPP1606334I	75	150	93	16	110 x 3/4"	CPP1611034I	105	115	145	16
63 x 1"	CPP160631I	75	150	93	16	110 x 1"	CPP161101I	105	115	148	16
63 x 1 1/4"	CPP16063114I	75	150	95	16	110 x 1 1/4"	CPP16110114I	105	115	149	16
63 x 1 1/2"	CPP16063112I	75	150	101	16	110 x 1 1/2"	CPP16110112I	105	115	150	16
75 x 1/2"	CPP1607512I	75	115	102	16	110 x 2"	CPP161102I	105	115	151	16

Fittings de polipropileno (PP)

Sistema de bloqueo patentado

Pernos y tuercas galvanizados o inoxidables

Certificaciones: UNI 10226-1 / ISO 13460 / ISO 7/1



Medidas en milímetros

$\varnothing D1 \times \varnothing D2$	Cód.	A	B	C	PN	$\varnothing D1 \times \varnothing D2$	Cód.	A	B	C	PN
125 x 3/4"	CPP1612534I	120	175	168	16	200 x 1"	CPP102001I	180	260	282	10
125 x 1"	CPP161251I	120	175	170	16	200 x 1 1/2"	CPP10200112I	180	260	273	10
125 x 1 1/4"	CPP16125114I	120	175	170	16	200 x 2"	CPP102002I	180	260	277	10
125 x 1 1/2"	CPP16125112I	120	175	170	16	200 x 3"	CPP082003I	180	260	294	8
125 x 2"	CPP161252I	120	175	172	16	200 x 4"	CPP082004I	180	260	305	8
140 x 1"	CPP161401I	127	212	185	16	225 x 1 1/2"	CPP10225112I	200	280	276	10
140 x 1 1/4"	CPP16140114I	127	212	186	16	225 x 2"	CPP102252I	200	280	275	10
140 x 1 1/2"	CPP16140112I	127	212	189	16	225 x 3"	CPP082253I	200	280	281	8
140 x 2"	CPP161402I	127	212	188	16	225 x 4"	CPP082254I	200	280	289	8
140 x 3"	CPP101403I	127	212	195	10	250 x 2"	CPP102502I	220	300	297	10
160 x 3/4"	CPP1616034I	130	225	204	16	250 x 3"	CPP082503I	220	300	301	8
160 x 1"	CPP161601I	130	225	210	16	250 x 4"	CPP082504I	220	300	311	8
160 x 1 1/4"	CPP16160114I	130	225	215	16	315 x 2"	CPP103152I	260	340	361	10
160 x 1 1/2"	CPP16160112I	130	225	213	16	315 x 3"	CPP083153I	260	340	364	8
160 x 2"	CPP161602I	130	225	213	16	315 x 4"	CPP083154I	260	340	371	8
160 x 3"	CPP101603I	130	225	218	10						

Fittings de polipropileno (PP)
 Sistema de bloqueo patentado
 Pernos y tuercas galvanizados o inoxidables
 Certificaciones: UNI 10226-1 / ISO 13460 / ISO 7/1